



Flexible Enclosures



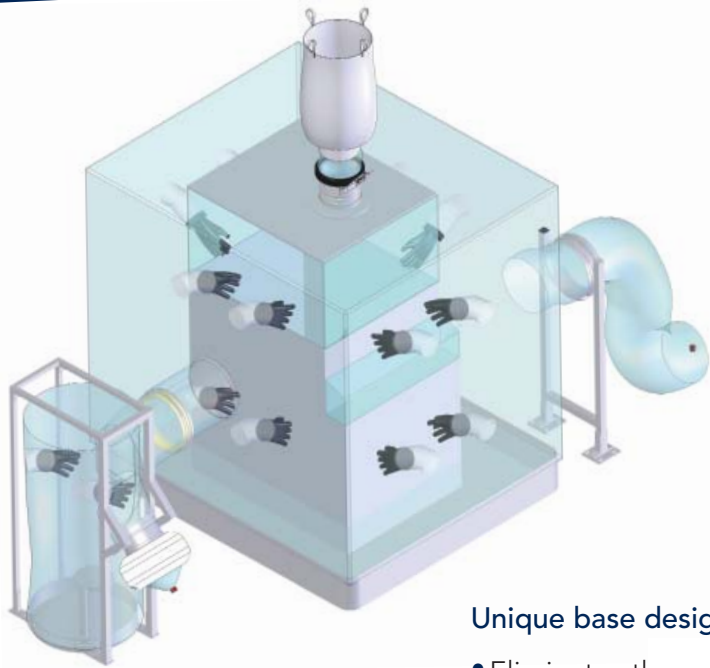
Flexible Containment Technologies

ILC Dover's flexible enclosures take the concept of a traditional flexible glove bag to a new level. Using the same reliable fabrication techniques and proven containment design features found on our DoverPac[®] family of products, we've produced a line of flexible enclosures adaptable to a wide range of existing equipment. These enclosures save time and money by allowing you to retrofit existing processing equipment while achieving nanogram containment levels.

All materials meet FDA standards and the design accommodates cGMP as well as operator ergonomics.

- Allows operators to work in shirt sleeve environment – increases efficiency
- 3rd party validated Nanogram containment levels using SMEPAC guidelines
- Economical
- Fast turnaround/installation
- Compatible with a wide range of existing equipment for retrofit
- Design makes use of existing DoverPac[®] containment details such as crimps, bag/out sleeves, and o-ring interface canisters
- Ergonomics are improved with an increased range of motion
- Designs support separation of process and technical areas
- Where applicable, entire piece of equipment can be contained

Flexible Enclosures



Tablet Press/Deduster Flexible Enclosure

- Powder added using a DoverPac® and canister interface
- A series of glove sleeves permit easy press operation
- Continuous bag-out sleeve supports tablet sampling/analysis
- Unexpected maintenance can be performed using bag out sleeve and gloves

Unique base design/interface

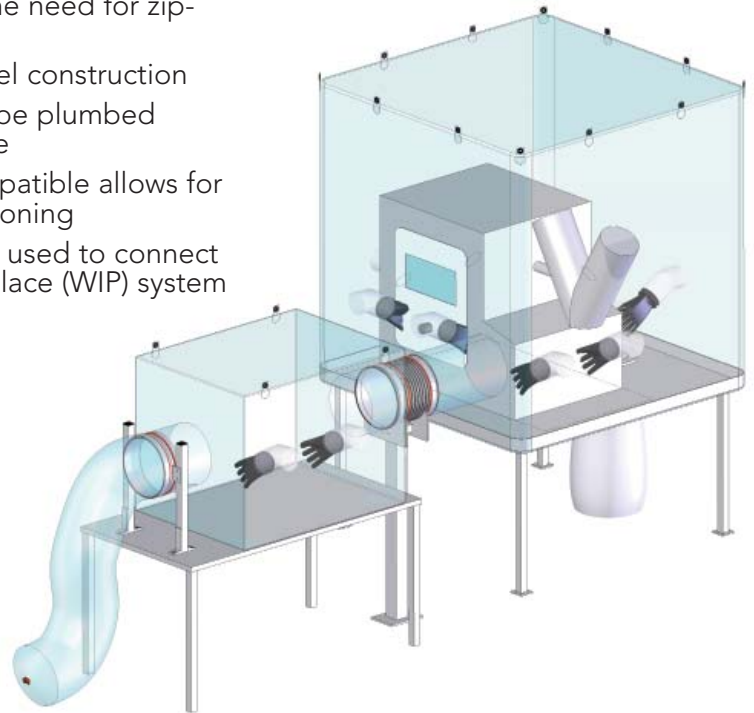
- Eliminates the need for zippers
- Stainless steel construction
- Utilities can be plumbed through base
- Fork lift compatible allows for easy repositioning
- Base can be used to connect to wash-in-place (WIP) system

Enclosures designed to work with:

- Blending
- Milling
- Tableting
- Weighing
- Subdividing

More cost effective than:

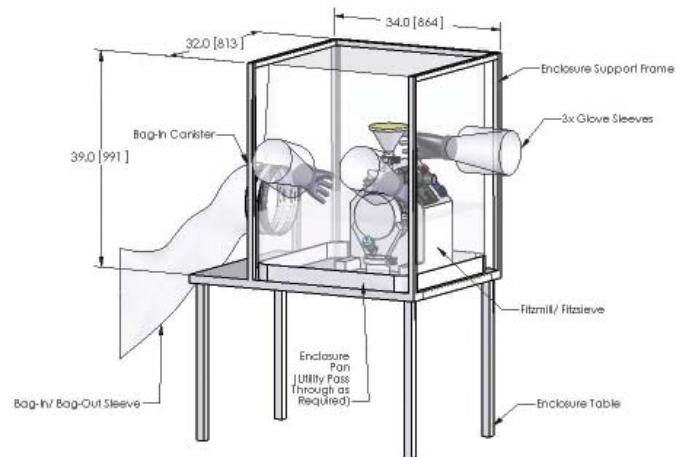
- Rigid isolators
- Downflow booths
- New equipment



Lab Scale Analytical/Blending Process Train

- Product enters through bag-in sleeves
- Operation of equipment accommodated via glove sleeves
- Integration of process steps through ILC Dover canister interface
- Process train can be expanded to include sub-dividing, milling, tableting, etc.

Flexible Enclosures



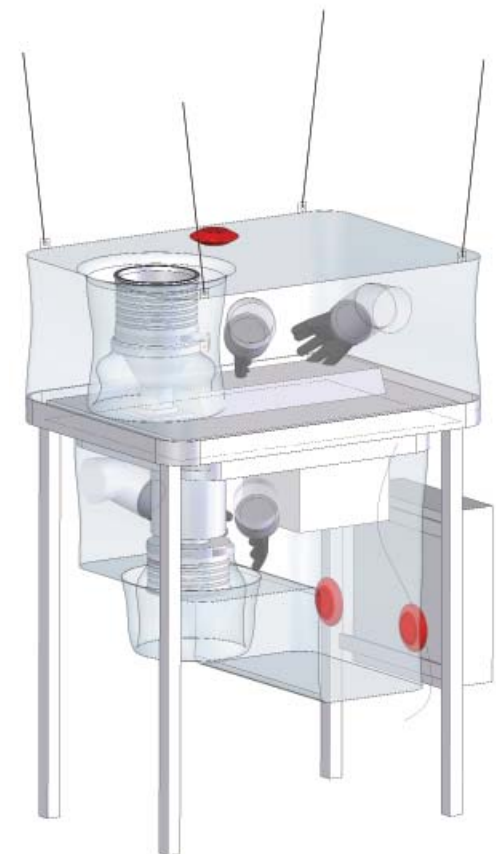
L1A Fitzmill

Weighing and Dispensing

- Utilities through pan
- Used with standard lab equipment

Mill Flexible Enclosures

- Powder added at top using DoverPac[®] addition technique or scooped in by hand
- Milled powder discharged into DoverPac[®], IBC or vessels



Overdrive Mill enclosure with shroud removed and fully deployed to allow use of glove sleeves for cleaning and maintenance

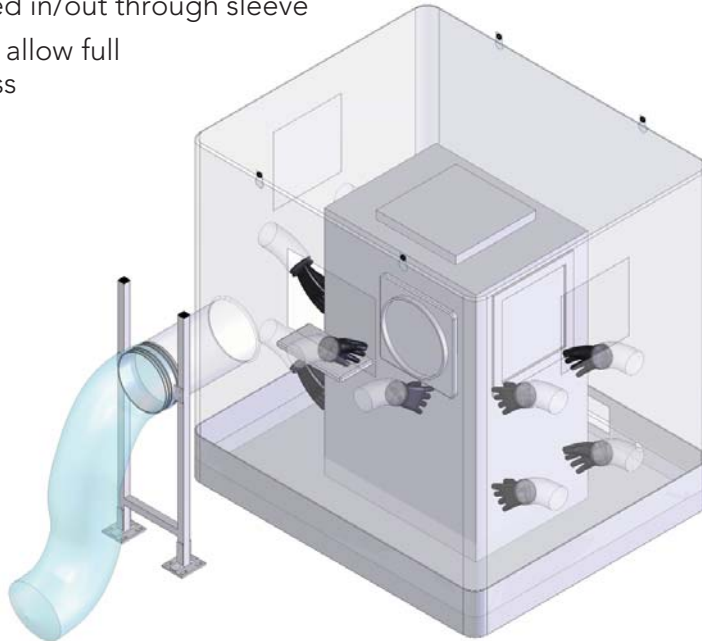
Granulator

- Mobile frame allows use in multiple suites
- Clear film and bungee attachments optimize ergonomics

Flexible Enclosures

Tablet Coater Enclosure

- Tablets bagged in/out through sleeve
- Glove sleeves allow full operator access



IBC Transfer

- Milled powder or finished product
- Tare weighing in process transfer



Dispensing device enclosure with transfer sleeve to IBC or downstream process

ArmorFlex is a registered trademark of ILC Dover

Since 1947, ILC Dover has built a global reputation for out-of-the-box thinking that makes the seemingly impossible possible. Our engineered solutions solve our customers' most complex challenges through the creative and efficient application of flexible materials often integrated with advanced equipment and hardware.

We look beyond the boundaries of convention to help customers see what could be. Every day, everything we do brings new solutions to light. Are you ready to take your vision beyond boundaries? *Let's talk.*



One Moonwalker Road
Frederica, DE 19946 USA
+1.302.335.3911
+1.800.631.9567
customer_service@ilcdover.com

www.ilcdover.com

