

Single-Use Fluid Transfer Assemblies for Bioprocessing

ILC Dover's Single-Use Fluid Transfer Assemblies can streamline your development and manufacturing by providing a high-quality, rapid, and disposable sterile fluid transfer solution.

Advantages of ILC Dover's Fluid Transfer Assemblies:

- Using our decades of experience developing containment solutions for pharmaceutical and biopharmaceutical, we provide world-class engineering, commercial, and workflow analysis support.
- Drawings are typically generated within two business days, and gamma irradiated fluid transfer assemblies made of standard stocked components are typically shipped within eight weeks.
- ILC Dover makes its own, extensively-tested chambers from industry-proven, medical-grade Renolit 9101 film in ISO 7 cleanrooms.
- Standard components are transparently sourced from industry leaders in tubing, connectors, and fittings.
- If our standard library does not have the components to meet your needs, we will procure and assemble additional components for your assembly.



Applications

Buffer Preparation

Media Preparation

Fluid Transfer & Storage

Bulk Filling
Transportation & Storage

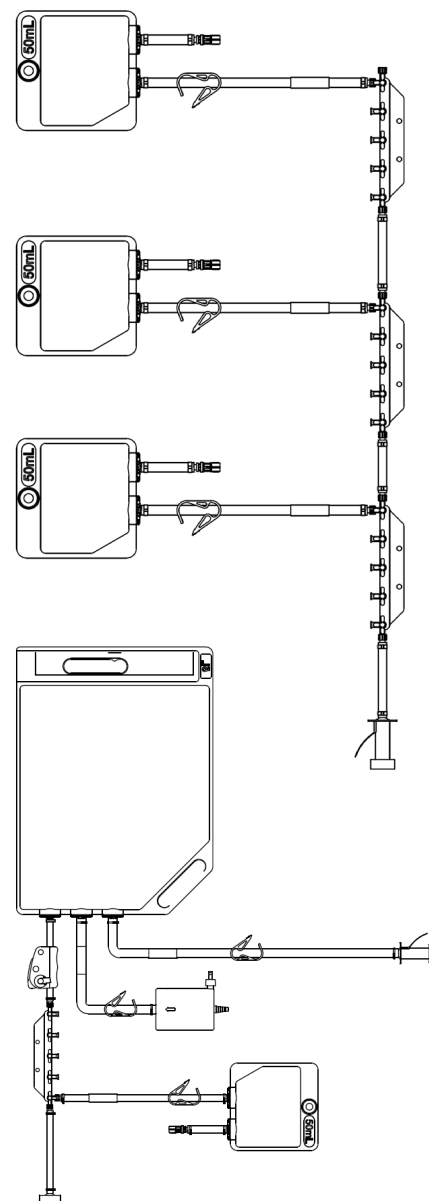
Chromatography
Buffer & Fractions

Filtration

Fill & Finish

Fluid Transfer Assembly Components

	Standard	Custom
Chambers	50 mL to 20 L	Up to and including 200 L
Port Configurations	2-port <ul style="list-style-type: none"> • 1/4 in. (50 mL to 1 L) • 3/8 in. (500 mL to 20 L) 3-port <ul style="list-style-type: none"> • 2 x 3/8 in., 1 x 1/4 in. (500 mL to 20 L) 	<ul style="list-style-type: none"> • Up to 4-ports. • 1/8, 1/4, or 3/8 in. ports
Tubing	TPE <ul style="list-style-type: none"> • 0.125 in. ID, 0.250 in. OD • 0.250 in. ID, 0.375 in. OD • 0.250 in. ID, 0.438 in. OD • 0.375 in. ID, 0.625 in. OD • 0.500 in. ID, 0.750 in. OD • 0.750 in. ID, 1.125 in. OD • 1.000 in. ID, 1.375 in. OD 	<ul style="list-style-type: none"> • TPE in other sizes • Platinum-Cured Silicone • Braided Platinum-Cured Silicone
Connections (and plugs)	<ul style="list-style-type: none"> • Luer • MPC • MPX • SIP • AseptiQuik® G • AseptiQuik® X 	<ul style="list-style-type: none"> • Customer-specified
Tubing Fittings	<ul style="list-style-type: none"> • Tees • Elbows • Cross • Straight • Reducer • Wye (Y) 	<ul style="list-style-type: none"> • Customer-specified
Other	<ul style="list-style-type: none"> • Pinch Clamps • Isolator Disk 	<ul style="list-style-type: none"> • Filters • Customer-specified



Questions or Inquiries?

More information is available at www.ilcdover.com, or by contacting us at customer_service@ilcdover.com or simply by reaching out to your dedicated ILC Dover sales representative.

100 Discovery Blvd, Suite 1001
Newark, DE (USA) 19713

+1.302.335.3911 x506 - Tel
+1 302.335.1320 - Fax

www.ilcdover.com