



SENTINEL XT

PAPR SYSTEM - SELECTION GUIDE



WHY THE SENTINEL XT PAPR SYSTEMS?

The ILC Dover Sentinel XT PAPR systems are powered air-purifying respirators, engineered around three core pillars: Safety, Comfort, and Durability. We know that when you're working long shifts, comfort is important while staying safe and protected. That's why the Sentinel XT Systems are designed with the worker in mind focusing on comfort, ease of use and reliability.

CAPABILITIES

- Lightweight Ergonomic PAPR and Hood designs - Ideal for long shifts
- 320° Field of View Hood (with Clear Hood options) - Provides increased safety and freedom of movement
- Better airflow - 8.3 CFM of airflow, 33% more airflow than NIOSH requires
- Reliable & Cost Effective - Proven technology with 10+ year record of reliability
- Long Battery Life - 12 Hour Rechargeable Lithium Polymer Battery

EASY-TO-USE

- Quick and easy to assemble
- Easy to read battery life meter
- 1-button operation
- Quick-Loc Belt and Backpack options

RELIABILITY

- Rugged Lithium Polymer Battery designed for 500 cycle charges for fewer change-outs
- Reduce productivity loss and replacement costs
- Brushless motor with secondary impact protection chamber provides a long life and durability to reduced cost of ownership

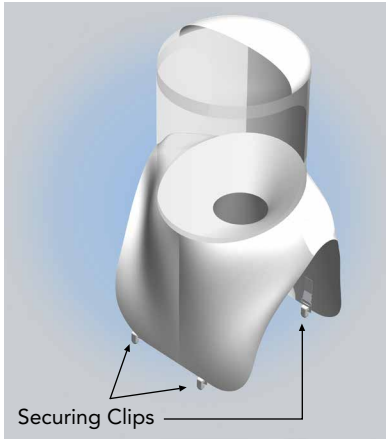
Applications:

- Pharmaceutical Manufacturing
- Biopharmaceutical Manufacturing
- Hospitals
- Labs
- Suite Cleaning/Sterilization



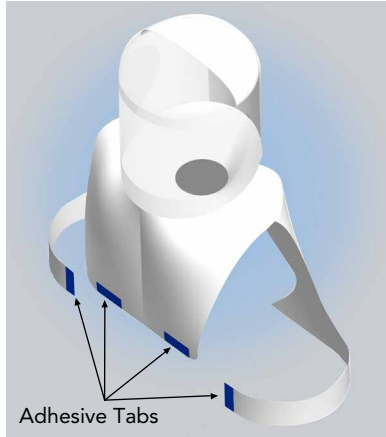
Hoods and Head Covers

Sentinel XT Clear Hood S-3112 (1,000 APF)



Clear hood with inner/out shrouds. Outer shroud attaches to protective suit with securing clips (front/back).

Sentinel XT Clear Hood Plus S-3324 (1,000 APF)



Clear hood with inner/out shrouds. Outer shroud wraps around securing on protective suit front with adhesive tabs (Adhesive tabs represented in dark blue).

XT Full Skirt Hood S-3113 (1,000 APF)



Full hood with inner/out shrouds.

Half Hood S-4001 (25 APF)



BENEFITS

SENTINEL XT CLEAR HOODS

- 320° Field of View Hood - Provides increased safety and freedom of movement
- Comfortable design with no ratcheted head gear - air flow supports hood on neck and shoulders
- One size fits all
- Dual skirt design
- APF 1,000
- Latex Free

SENTINEL FULL SKIRT HOOD

- Close fitting design for tight spaces
- Secure fit with adjustable integral headband
- Dual skirt design
- APF 1,000
- Latex Free

SENTINEL HALF HOOD

- Secure fit with adjustable integral headband
- APF 25
- Latex Free

Blowers and Accessories

AIR DELIVERY SYSTEM



S-3114
Blower Sentinel XT



S-3315
Blower Sentinel XT/NI



S-2010
Flow Meter



S-3508
Expandable Breathing Tube

SUSPENSION



S-4011
Quick-Loc Waist Belt



S-3105
Back Harness

FILTRATION



S-4002-25
HEPA Cartridge



S-4012
OV/AG/HE Filter Cartridge



S-2027
Ammonia & Multi-Hazard Cartridge

POWER SUPPLY



S-3108
LiPO Rechargeable Battery



S-3303
LiPO Charging Kit
(Charger & Cradle)



S-3316
Battery Rechargeable
LiPO w/ secure latch

COVERS



S-3103
Blower Cover



S-3102
Breathing Tube Cover

Sentinel XT Systems and Starter Kits*

S-3327
Sentinel XT Starter Kit
(as shown below)



S-3310
Sentinel XT System
(as shown below)



*Sentinel XT System (S-3320-01) and Starter Kits (S-3326) are also available with Non-incendive blower and battery

1. Sentinel XT Systems

S-3310	Sentinel XT System - Includes Blower (S-3314), Extendable Breathing Tube (S-3508), LiPo Battery (S-3108), Battery Charger, Quik-Loc belt, 2 HEPA Filters, Flow Meter, Sentinel XT Clear Hood (S-3112), Plug
S-3320-01	Sentinel XT Non-Incendive System - Includes N/I Blower (S-3115), Extendable Breathing Tube (S-3508), N/I LiPo Battery (S-3316), Battery Charger, Quick-Loc Belt, 2 HEPA filters, Flow Meter, Sentinel XT Clear Hood (S-3112), Plug

2. Sentinel XT Starter Kits

S-3327	Sentinel XT Starter Kit - Includes Blower (S-3315), Extendable Breathing Tube (S-3508), LiPo Battery (S-3108), Battery Charger, Flow Meter, Plug
S-3326	Sentinel XT Non-Incendive Starter Kit - Includes N/I Blower (S-3115), Extendable Breathing Tube (S-3508), N/I LiPo Battery (S-3316), Battery Charger, Flow Meter, Plug

3. Hoods

S-3112-30	Sentinel Clear XT Hood, 30 ct.
S-3324-30	Sentinel Clear XT Hood Plus, 30 ct.
S-3113	Full Skirt Hood
S-4001	Half Hood

4. Blowers

S-3114	Sentinel XT Blower
S-3315	Sentinel XT Non-Incendive (N/I) Blower

5. Cartridges/Filters

S-4002-25	HEPA Filters, 25 sets
S-4012	OV/AG/HE Cartridges, Packs of 3 ct.
S-2027	Ammonia & Multi-Hazard Cartridges, Packs of 3 ct.

6. Accessories

S-2010	Flow Meter
6000-61508-01	Breathing Tube Installation Tool
S-3102-10	Breathing Tube Covers, Packs of 10 ct.
S-3103-10	Blower Covers. Packs of 10 ct.
S-3508	Extendable (19") Breathing Tube
S-4011	Quick-Loc Waist Belt
S-3105	Back Harness
S-3303	LiPo Battery Charging Kit - cord and charging cradle
S-3108	LiPo Rechargeable Battery
S-3316	LiPo Rechargeable Battery with Secure Latch - FM Approved



One Moonwalker Road
Frederica, DE 19946 USA
+1.302.335.3911 +1.800.631.9567
customer_service@ilcdover.com

www.ilcdover.com

